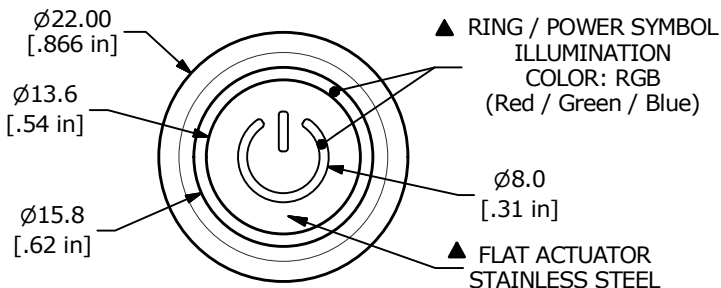


Recommended PANEL CUTOUT
 MAX. PANEL THICKNESS:
 11.0 [.43 in]



▲ RING / POWER SYMBOL
 ILLUMINATION
 COLOR: RGB
 (Red / Green / Blue)

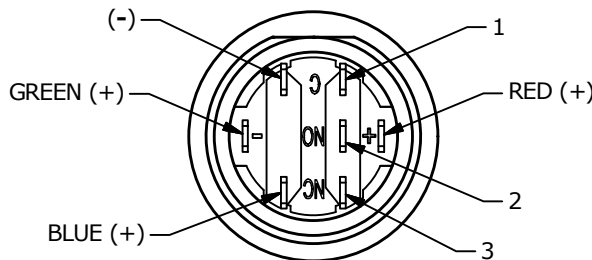
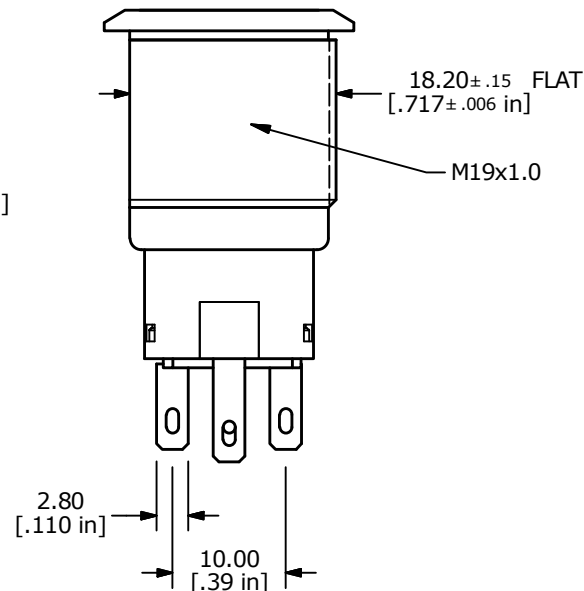
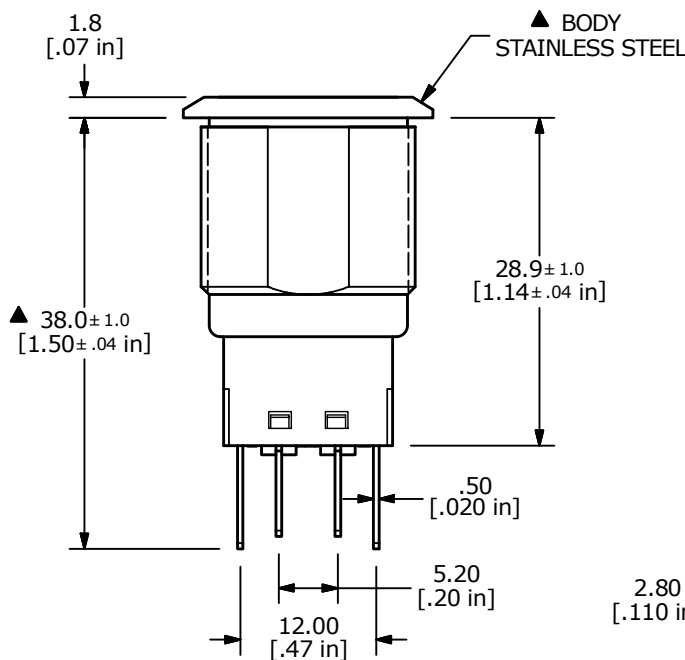
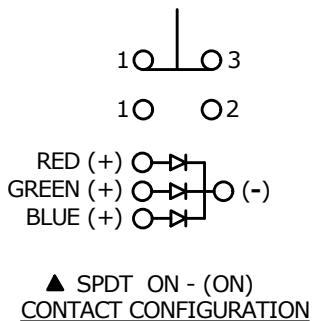
▲ FLAT ACTUATOR
 STAINLESS STEEL



▲ SWITCH FUNCTION

POS. 1	POS. 2
ON	(ON)
1-3	1-2

(ON) = MOMENTARY



NOTE:

- ALL DIMENSIONS IN mm [INCH]
- GENERAL TOLERANCE: X.X = ±0.4
X.XX = ±0.25
- TERMINAL NUMBERS FOR REF ONLY
- CONTACT MATERIAL: SILVER
- RATING: 2A 24VDC
- ELECTRIC LIFE: 50,000 MAKE-AND-BREAK CYCLES AT FULL LOAD.
- INSULATION RESISTANCE: 1,000 MΩ MIN.
- DIELECTRIC STRENGTH: 2,000 VAC MIN. FOR 1 MINUTE
- CONTACT RESISTANCE: 50mΩ MAX. @ 1A 12VDC
- OPERATING TEMP.: -25°C to 55°C
- TRAVEL: 2.8mm
- ▲ DENOTES CRITICAL PARAMETER
- INGRESS PROTECTION: IP65
- HARDWARE SUPPLIED: O-RING AND HEXNUT
- ILLUMINATION VOLTAGE:
 RED: 1.8V
 GREEN: 2.8V
 BLUE: 2.8V



A	23510	New Release	8/6/19	MW
REV	PCR NO	DESCRIPTION	DATE	BY

TITLE PV4F2B0SS-3R1-M26				
SCALE 3:2	DATE 8/6/2018	DR MW	DWG 52-PV4F2B0SS3R1M26	REV A

THE INFORMATION CONTAINED IN THIS DOCUMENT IS PROPRIETARY TO E-SWITCH AND IS NOT TO BE COPIED OR TRANSFERRED